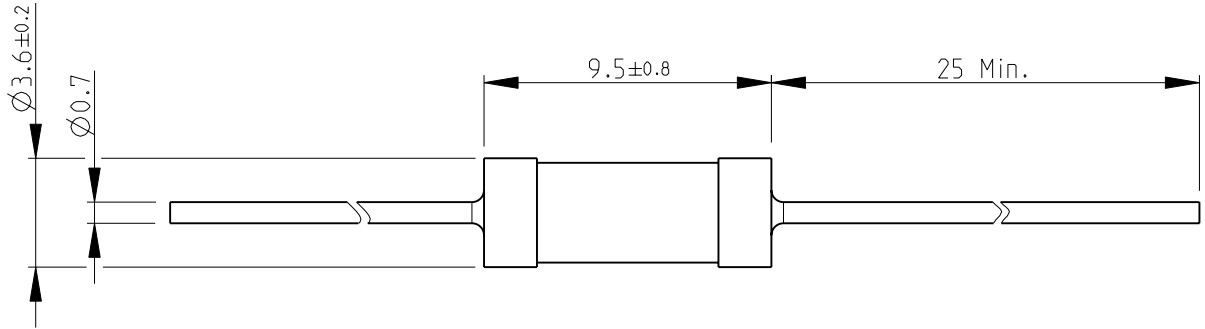
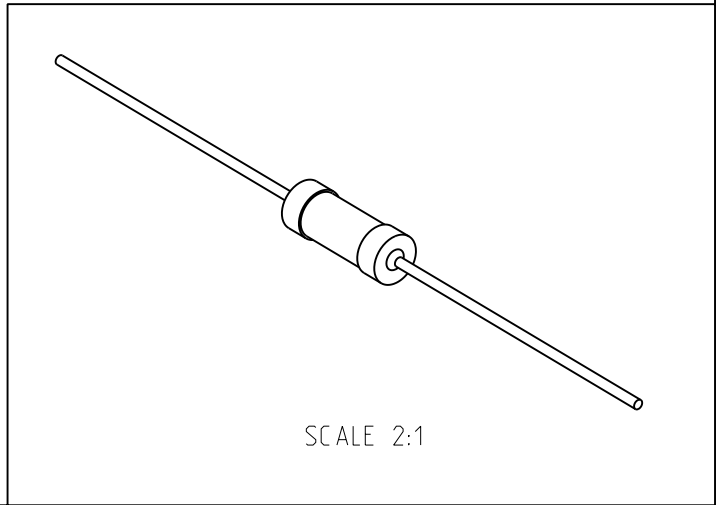


LOC	DIST	REVISIONS			
P	LTR	DESCRIPTION	DATE	DWN	APVD
E	B	A1	REVISED PER ECO-11-005150	29MAR2011	RK HMR

FOR FURTHER INFORMATION SEE DATA SHEET FOR CBT SERIES-CARBON COMPOSITION RESISTORS



RoHS Compliant



SCALE 2:1

2008


RELEASED FOR PUBLICATION

ALL RIGHTS RESERVED.

THIS DRAWING IS UNPUBLISHED.

BY -

© COPYRIGHT 2008

DIMENSIONS: mm	DWN	SUBHASH.M	18-Sep-08	MATERIAL	-	FINISH	-	
	CHK	PRAKASH.S	18-Sep-08	 TE Connectivity				
TOLERANCES UNLESS OTHERWISE SPECIFIED:	APVD	STEPHEN.P	18-Sep-08					NAME
	0 PLC ± 0.2	PRODUCT SPEC	-	SIZE	CAGE CODE	DRAWING NO	RESTRICTED TO	
1 PLC ± 0.1	APPLICATION SPEC	-	A 4	00779	©-1625876	-		
2 PLC \pm	WEIGHT	-	CUSTOMER DRAWING				SCALE	4:1
3 PLC \pm							SHEET	1 OF 1
4 PLC \pm							REV	A1
ANGLES $\pm 5^\circ$								